

MB-1

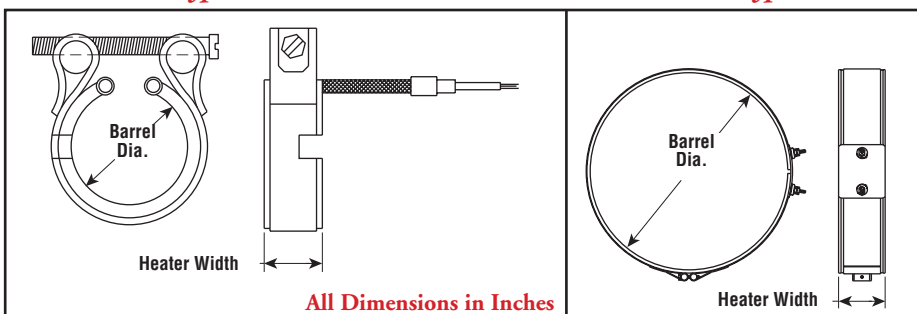
One-Piece Mica Insulated Band Heater (cont'd.)



- 1 - 6-1/8" Nozzle Dia.
- 275 - 1000 Watts
- 120 and 240 Volt
- Up to 800°F Max. Sheath Temp.
- Up to 650°F Max. Barrel Temp.
- Type A Leads
- Heavy Duty Anti-torque Post Terminal (Type P)

Dimensions – Type A

Dimensions – Type P



Specifications and Ordering Information

Watts	Volts	W/In ²	Dimensions (In.)		Term.	Model	Stock	PCN	Wt. (Lbs.)
			Barrel Dia.	Heater Width					
275	240	39	1-1/2	1-1/2	P	MB1J1J1P2	NS	150586	0.4
200	120	42	1-1/2	1	A	MB1J1A1A3	NS	150527	0.3
450	120	42	1-1/2	3	A	MB1J3A1A2	NS	154747	0.5
200	240	42	1-1/2	1	A	MB1J1A1A4	NS	150535	0.3
450	240	42	1-1/2	3	A	MB1J3A1A3	NS	154755	0.5
300	120	46	1-1/2	2	A	MB1J2A1A2	NS	154667	0.5
300	240	46	1-1/2	2	L	MB1J2A1L2	NS	154683	0.5
300	120	54	1-1/2	1-1/2	A	MB1J1A1A7	NS	154624	0.5
200	240	54	1-1/2	1	L	MB1J1A1L6	NS	154560	0.5
300	240	54	1-1/2	1-1/2	A	MB1J1J1A8	NS	154632	0.5
300	240	54	1-1/2	1-1/2	L	MB1J1J1L6	NS	154659	0.5
200	240	31	1-5/8	1-1/4	A	MB1L1E1A1	NS	150156	0.4
275	240	33	1-3/4	1-1/2	A	MB1N1J1A5	NS	150623	0.4
300	120	36	1-3/4	1-1/2	A	MB1N1J1A6	NS	150631	0.4
300	240	36	1-3/4	1-1/2	A	MB1N1J1A7	NS	150640	0.4
300	240	36	1-3/4	1-1/2	P	MB1N1J1P2	NS	150658	0.4
200	240	34	1-7/8	1	A	MB1Q1A1A1	NS	150201	0.4
250	240	27	2	1-1/2	P	MB2A1J1P1	S	150210	0.5
200	120	32	2	1	A	MB2A1A1A1	NS	150666	0.5
200	240	32	2	1	A	MB2A1A1A2	NS	150674	0.5
300	240	32	2	1-1/2	P	MB2A1J1P2	NS	150682	0.5
500	240	35	2	3	L	MB1N3A1L2	NS	154907	0.5
450	240	36	2	2	P	MB2A2A1P1	NS	150691	0.5
300	120	38	2	1-1/2	T1	MB2A1J1P3	NS	154990	0.5
200	240	38	2	1	L	MB2A1A1L4	NS	154966	0.5
600	240	38	2	3	L	MB2A3A1L2	NS	155053	0.5
200	120	30	2 1/8	1	A	MB2C1A1A1	S	150228	0.5
350	240	35	2 1/8	1-1/2	P	MB2C1J1P1	NS	150711	0.5
275	240	41	2 1/8	1	A	MB2C1A1A2	NS	150703	0.5
200	240	19	2-1/4	1-1/2	P	MB2E1J1P1	NS	150236	0.5
250	120	35	2-1/4	1	P	MB2E1A1P1	NS	150720	0.5
250	240	35	2-1/4	1	P	MB2E1A1P2	NS	150738	0.5
375	240	35	2-1/4	1-1/2	P	MB2E1J1P2	NS	150746	0.5
525	240	37	2-1/4	2	P	MB2E2A1P1	NS	150754	0.5
200	240	27	2-3/8	1	P	MB2G1A1P1	NS	150244	0.5
300	240	25	2-1/2	1-1/2	P	MB2J1J1P1	NS	150252	0.6
450	240	29	2-1/2	2	P	MB2J2A1P1	NS	150797	0.6
350	120	30	2-1/2	1-1/2	P	MB2J1J1P2	NS	150771	0.6
350	240	30	2-1/2	1-1/2	P	MB2J1J1P3	NS	150789	0.6
275	240	35	2-1/2	1	P	MB2J1A1P1	NS	150762	0.6
300	120	43	2-1/2	1	L	MB2J1A1L2	NS	155176	0.5
300	240	43	2-1/2	1	T1	MB2J1A1P2	NS	155192	0.5

Stock Status: S = stock NS = non-stock

To Order— Specify model, PCN, volts, watts and quantity.

Note — Watt densities shown are based on heated area of contact surface only.